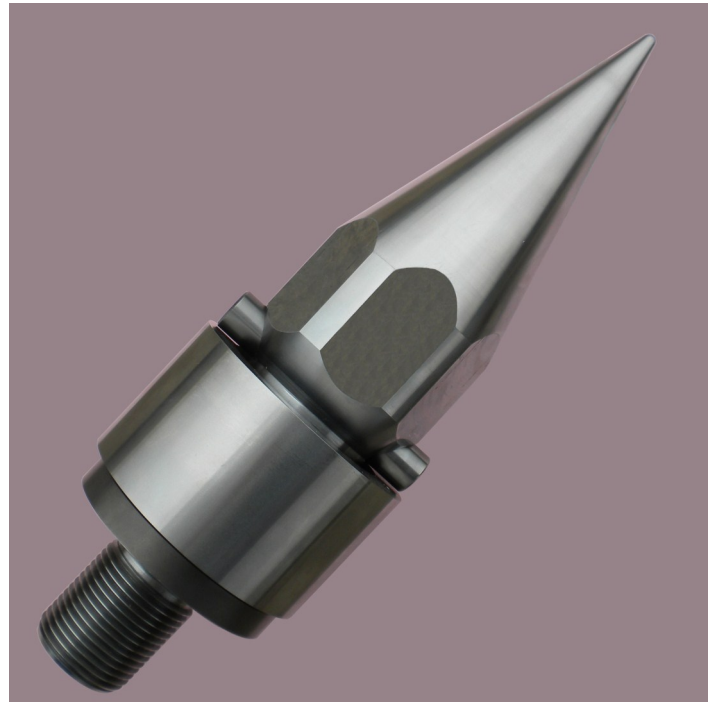
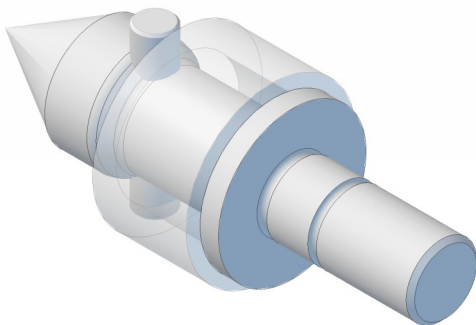


# “MDP”<sup>™</sup> performance **SLIDING RING SCREW TIP!**

PATENT 7,527,493

## FEATURES

- SIMPLE TWO OR THREE PIECE SLIDING RING DESIGN
- HIGH FLOW; LOWEST PRESSURE DROP IN THE INDUSTRY
- GOOD FOR ALL RESIN GROUPS
- EXTREMELY ACCURATE WITH OR WITHOUT DECOMPRESSION
- MULTIPLE CONSTRUCTION OPTIONS
- ADVANCED HYDRAULIC FLOW
- ADHESIVE WEAR IS VIRTUALLY ELIMINATED AS A RESULT OF ADVANCED HYDRAULIC FLOW AND A SOLID WC FRONT SEAT



## BENEFITS

- EASY INSTALLATION AND REMOVAL
- COMPETITIVE PRICING
- HIGH THROUGHPUT
- QUICK AND PRECISE SHUTOFF, LOWEST PART WEIGHT DISTRIBUTION IN THE INDUSTRY
- MULTI-PURPOSE APPLICATIONS
- PROVEN MATERIAL SAVINGS
- LONG WEAR LIFE
- QUICK MATERIAL CHANGES