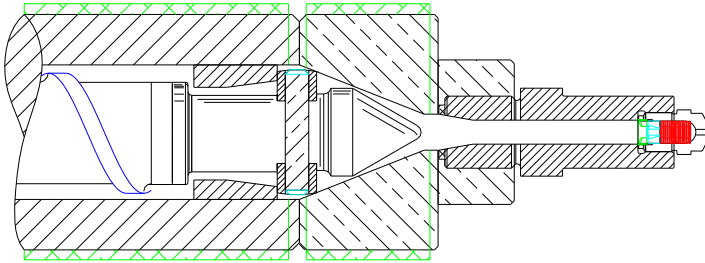


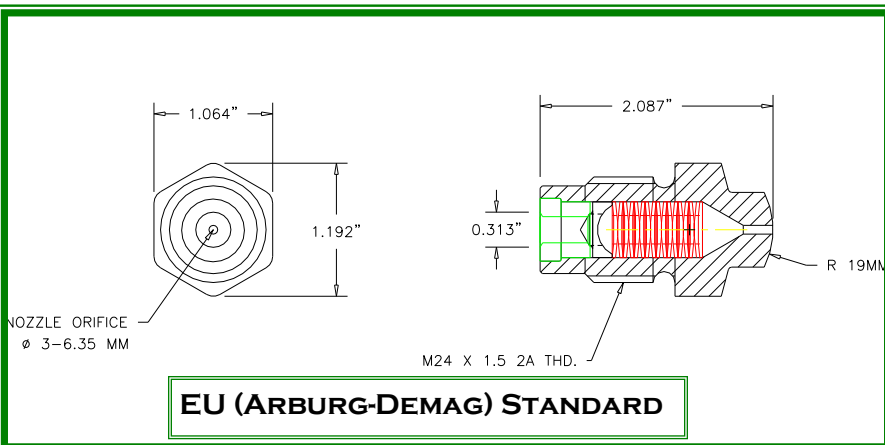
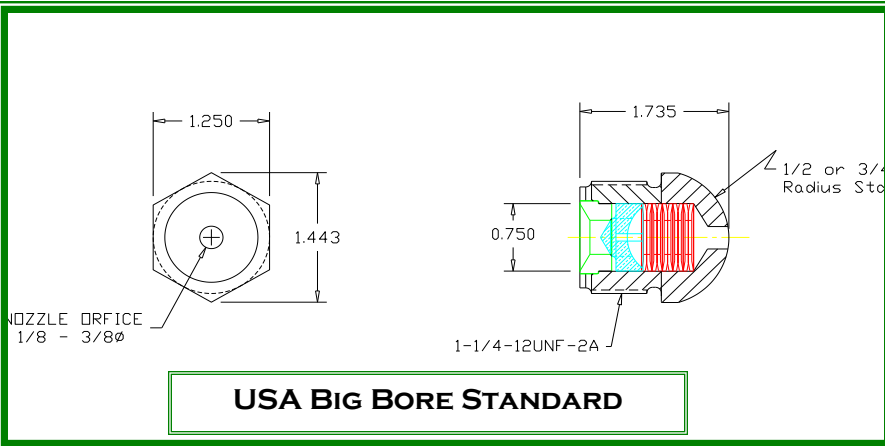
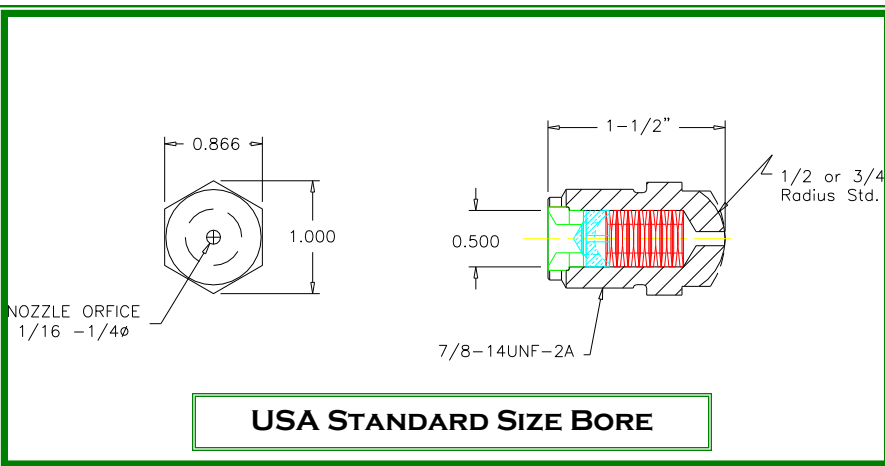
THE MINI-SHUT™ AUTOMATIC SHUTOFF NOZZLE TIP



Patent Pending

FEATURES:

1. Easy to Install and Remove
2. Inexpensive
3. Fits on Virtually All Nozzle Bodies
4. Designs for All Machine Sizes-Applications
5. Operate the Clamp and Screw Simultaneously
6. On the Shelf Stock Item
7. Low Pressure Drop Low Shear
8. Operating Temperatures of + 750 degrees Fahrenheit
9. Easy to Clean with Normal Purging Techniques



MINI-SHUT™ BENEFITS

1. Eliminate Melt-Decompression
2. Eliminate Drooling
3. Eliminate Stringing
4. Improved Part Wt. Consistency